

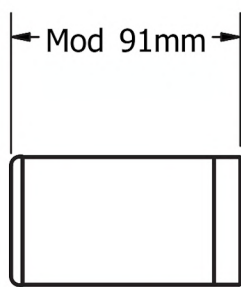
# CALIBRE MOD AMBULANT GRAB RAIL

## 32mm Angled 45 and 90 Degree Grab Rails

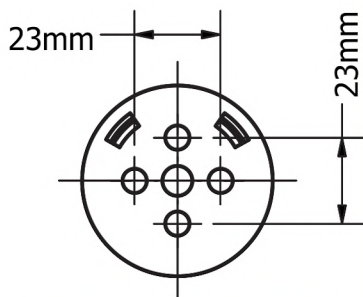


### STOCK CODE(S)

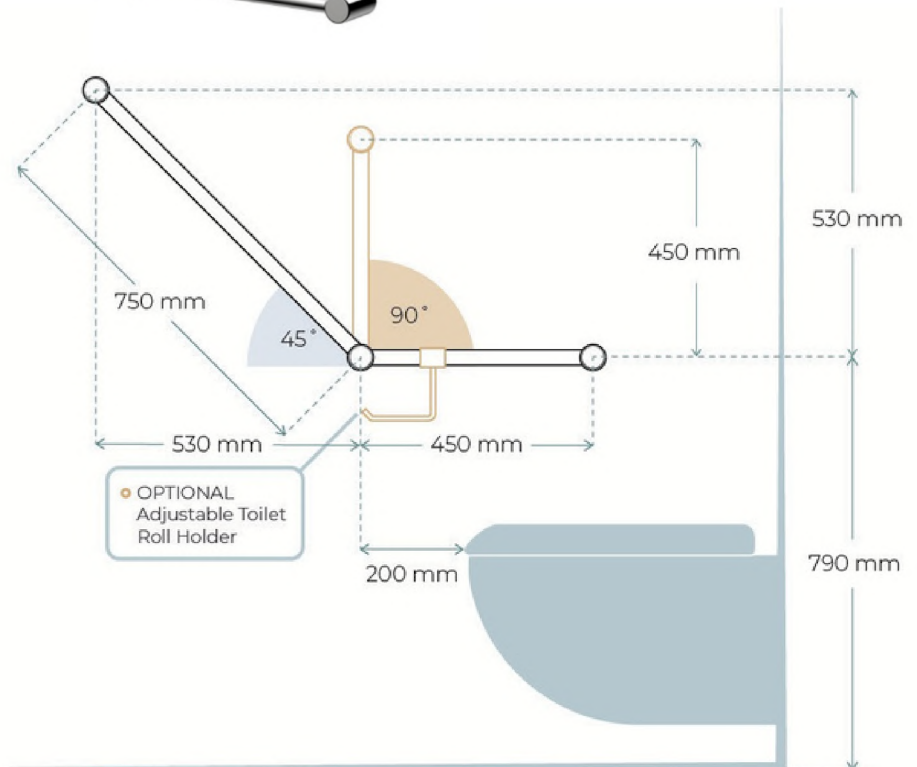
45 Degree 450x750mm - R01A445  
90 Degree 450x450mm - R01A490



BRACKET SIDE



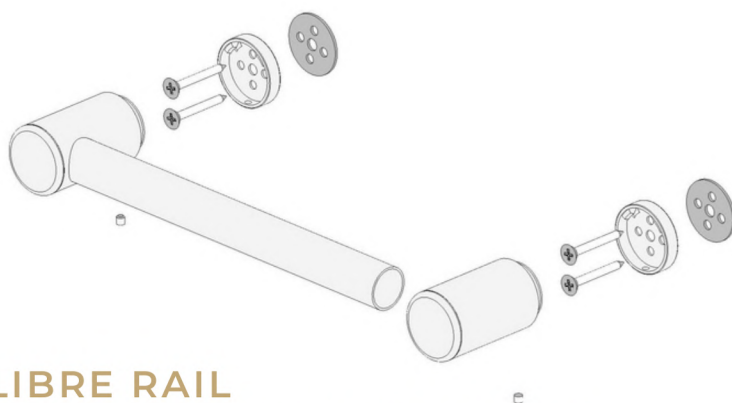
WALL BRACKET



### AVAIL QUALITY DESIGNS

- Australian Owned and Designed
- Can be mounted on left or right hand side
- Optional add on toilet roll holder attaches to the 32mm rail
- Available in over 7 finishes including Living Brass, Chrome, Matt Black, Gunmetal, Brushed Nickel, Bronze, Gold
- Modular design, the rail to be mounted horizontally, vertically or at any angle and cut down to suit your bathroom
- 150 kg capacity for all 25mm and 32mm diameter calibre grab rails
- Mod 32mm diameter rails are approved for standard AS1428.1 requirements in DDA bathrooms



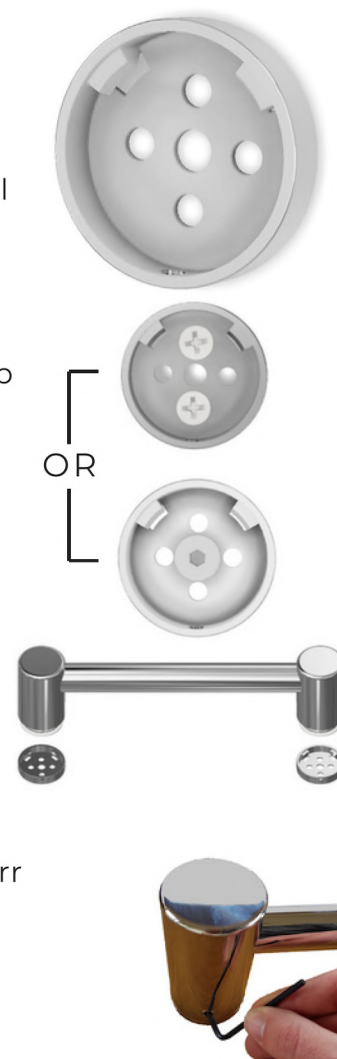


## CONTENTS:

- 3 x Wall Brackets
- 6 x Stainless Screws 12g x 50
- 3 x Grub Screws M6 x 5
- 2 x Grab Rail

## CALIBRE RAIL INSTALLATION INSTRUCTIONS

1. Locate wall studs, install into at least one stud. Place wall seal/mounting bracket on wall at correct height over centre of stud and mark hole positions on wall (minimum 2 supplied screws per bracket).
2. Drill pilot holes into wall stud approximately 50mm deep to suit mounting screws (and wall plugs if required).
3. Apply small amount of silicon to mounting bracket and wall in and around the screw holes.
4. Install mounting brackets by screwing onto wall
  - Tip: use appropriate mounting screws for the wall stud material, supplied screws are for timber wall studs, one larger bugle screw can be used in centre hole.
5. Slide rail tube into end bracket and push onto wall brackets.
  - Tip: rail length can be cut down to a smaller size, simply use an angle grinder, hacksaw or pipe cutter then deburr the end with a file or grinder and reinsert into the end bracket.
6. Tighten grub screws with Allen key.
  - Tip: if rail rattles, loosen end bracket, twist slightly and tighten.



### WARNING:

These rails are designed to be mounted onto wall studs or masonry walls. Installation is recommended to be completed by qualified tradesperson who complies with the AS 1428.1- 2009 Design for Access and Mobility standard. It is recommended rail location is determined by a qualified Occupational Therapist or trained professional to the AS 1428.1-2009 standard. Correct installation is required to ensure safe, long term operation. Incorrect mounting can result in reduced capacity of the rail which can result in injury to user and damage to the wall.

