

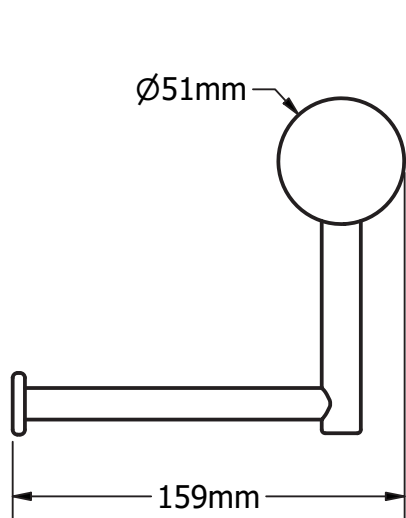
CALIBRE TOILET ROLL HOLDER

Heavy Duty Toilet Roll Holder Bracket

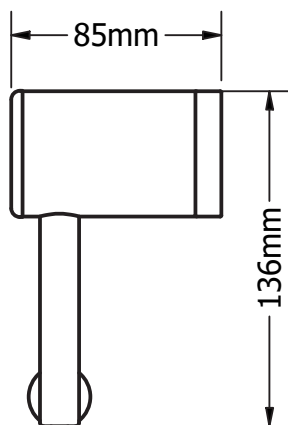


STOCK CODE(S)

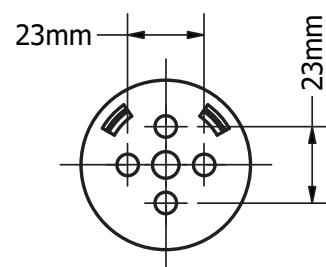
Toilet Roll Holder - R01H



FRONT



SIDE

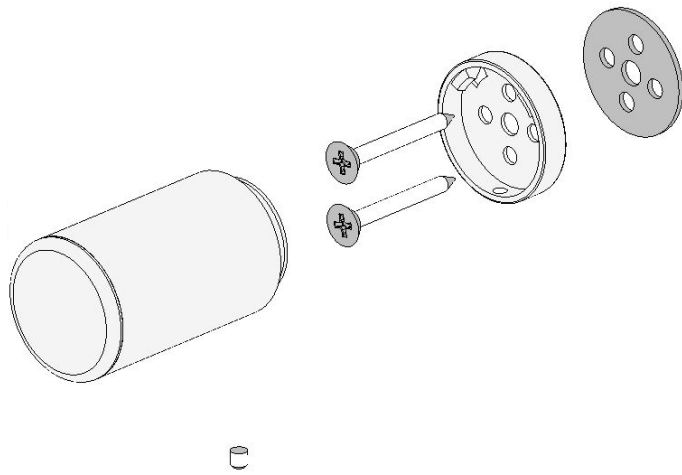


WALL BRACKET

AVAIL QUALITY DESIGNS

- Australian Made, Owned and Designed
- Provides a helping hand and a handy toilet roll holder
- Scratch resistant high grade extra polished stainless steel for a chrome finish, available in a range of finishes
- 150 kg capacity when installed into a supported wall





CONTENTS:

- 1 x Wall Seal
- 1 x Wall Brackets
- 2 x Stainless Screws 12g x 50
- 1 x Grub Screws M6 x 5
- 1 x Toilet Roll Holder

CALIBRE RAIL INSTALLATION INSTRUCTIONS

1. Locate wall studs, install into at least one stud. Place wall seal/mounting bracket on wall at correct height over centre of stud and mark hole positions on wall (minimum 2 supplied screws per bracket).
 2. Drill pilot holes into wall stud approximately 50mm deep to suit mounting screws (and wall plugs if required).
 3. Apply small amount of silicon to mounting bracket and wall in and around the screw holes.
 4. Install mounting bracket by screwing onto wall
- Tip: use appropriate mounting screws for the wall stud material, supplied screws are for timber wall studs, one larger bugle screw can be used in centre hole.



WARNING:

These rails are designed to be mounted onto wall studs or masonry walls. Installation is recommended to be completed by qualified tradesperson who complies with the AS 1428.1-2009 Design for Access and Mobility standard. It is recommended rail location is determined by a qualified Occupational Therapist or trained professional to the AS 1428.1-2009 standard. Correct installation is required to ensure safe, long term operation. Incorrect mounting can result in reduced capacity of the rail which can result in injury to user and damage to the wall.



TOILET ROLL & TOWEL RAIL INSTALL INSTRUCTIONS



1. Using smaller M2 allen key loosen grub screw in ring before repositioning in desired location and re-tighten
2. Align toilet roll holder with grab rail ring in desired orientation
3. Using the larger M3 allen key whilst holding the toilet roll holder in place, screw the 85mm screw into the grab rail ring till tight
4. Similarly for towel rails or toilet rolls secured into end bracket use supplied 90mm screw (note: for towel rails be sure to rest opposite end of towel rail into the pre assembled bracket before securing screw)

