

CALIBRE GRAB RAIL WITH TOWEL

Mod 32mm Diameter Rail with Towel Holder

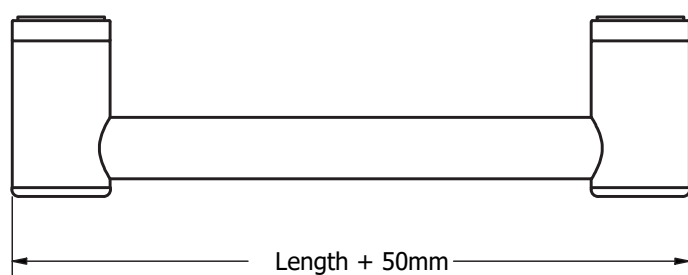
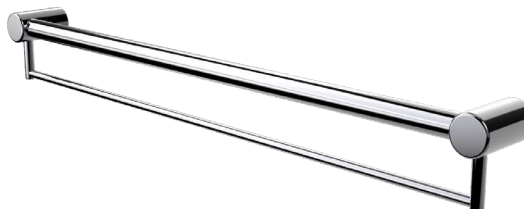


STOCK CODES

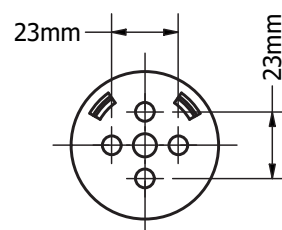
32mm Mod 300mm - R01T30

32mm Mod 600mm - R01T60

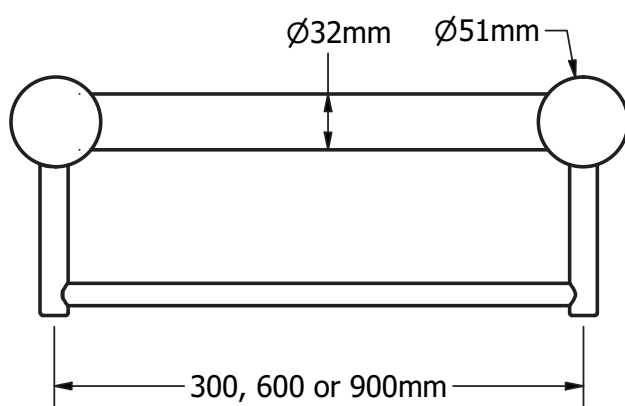
32mm Mod 900mm - R01T90



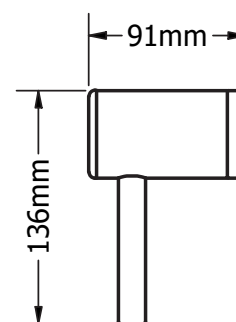
TOP



WALL BRACKET



FRONT

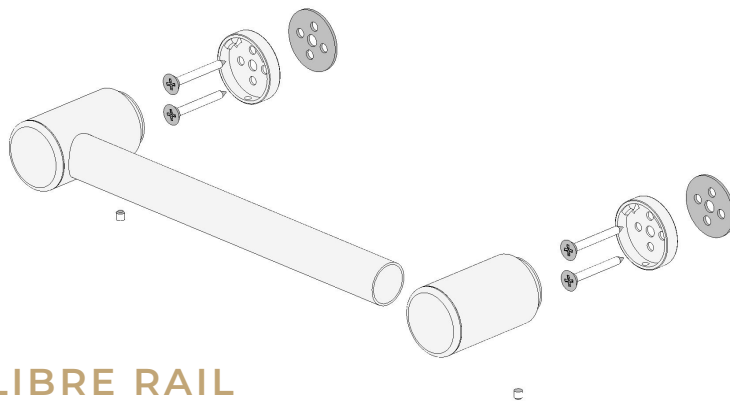


SIDE

AVAIL QUALITY DESIGNS

- Australian Made, Owned and Designed
- Sizes: 300 - 1200mm Lengths as standard, longer available by request
- Scratch resistant high grade extra polished stainless steel for a chrome finish, available in a range of finishes
- Modular design, the rail to be mounted horizontally, vertically or at any angle and cut down to suit your bathroom
- 150 kg capacity for all 25mm and 32mm diameter calibre grab rails
- Mod 32mm diameter rails are approved for standard AS1428.1 requirements in DDA bathrooms
- Ergo 25mm diameter rails are suitable for heavy duty towel rails and smaller hands, in non-DDA bathrooms



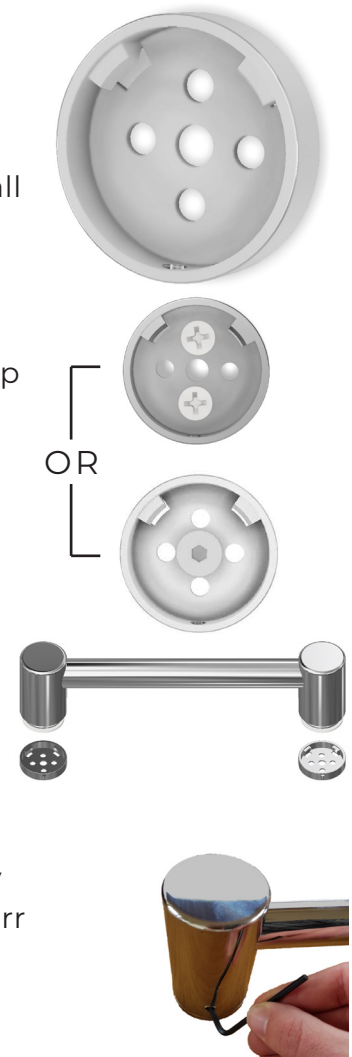


CONTENTS:

- 2 x Wall Seal
- 2 x Wall Brackets
- 4 x Stainless Screws 12g x 50
- 2 x Grub Screws M6 x 5
- 1 x Grab Rail
- 1 x Towel Rail

CALIBRE RAIL INSTALLATION INSTRUCTIONS

1. Locate wall studs, install into at least one stud. Place wall seal/mounting bracket on wall at correct height over centre of stud and mark hole positions on wall (minimum 2 supplied screws per bracket).
2. Drill pilot holes into wall stud approximately 50mm deep to suit mounting screws (and wall plugs if required).
3. Apply small amount of silicon to mounting bracket and wall in and around the screw holes.
4. Install mounting brackets by screwing onto wall
 - Tip: use appropriate mounting screws for the wall stud material, supplied screws are for timber wall studs, one larger bugle screw can be used in centre hole.
5. Slide rail tube into end bracket and push onto wall brackets.
 - Tip: rail length can be cut down to a smaller size, simply use an angle grinder, hacksaw or pipe cutter then deburr the end with a file or grinder and reinsert into the end bracket.
6. Tighten grub screws with Allen key.
 - Tip: if rail rattles, loosen end bracket, twist slightly and tighten.



WARNING:

These rails are designed to be mounted onto wall studs or masonry walls. Installation is recommended to be completed by qualified tradesperson who complies with the AS 1428.1-2009 Design for Access and Mobility standard. It is recommended rail location is determined by a qualified Occupational Therapist or trained professional to the AS 1428.1-2009 standard. Correct installation is required to ensure safe, long term operation. Incorrect mounting can result in reduced capacity of the rail which can result in injury to user and damage to the wall.



TOILET ROLL & TOWEL RAIL INSTALL INSTRUCTIONS



1. Using smaller M2 allen key loosen grub screw in ring before repositioning in desired location and re-tighten
2. Align toilet roll holder with grab rail ring in desired orientation
3. Using the larger M3 allen key whilst holding the toilet roll holder in place, screw the 85mm screw into the grab rail ring till tight
4. Similarly for towel rails or toilet rolls secured into end bracket use supplied 90mm screw (note: for towel rails be sure to rest opposite end of towel rail into the pre assembled bracket before securing screw)

