

GLANCE SHOWER RAIL

900mm Long Rail & Adjustable Shower Head Set

R03S90

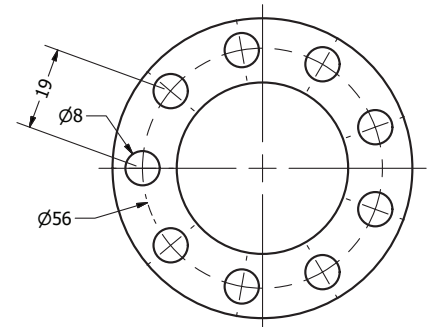
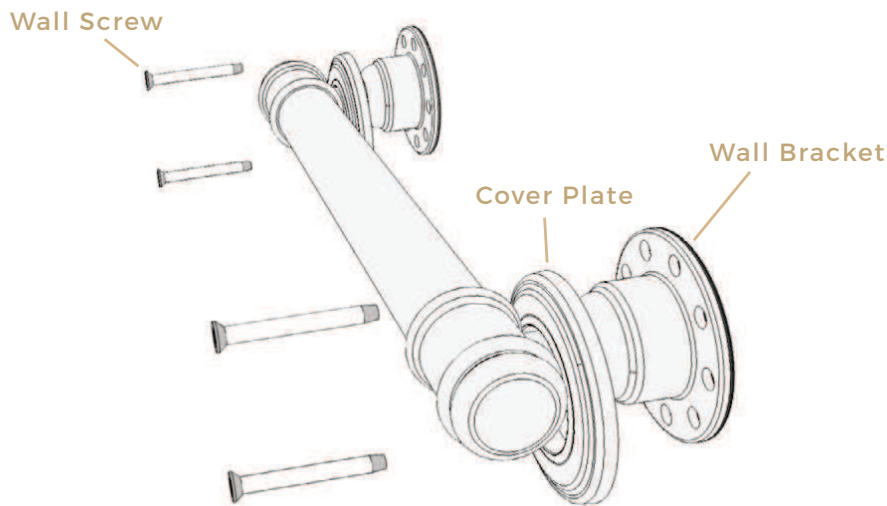


AVAIL DESIGNS

This full set includes:

- 9 Litres Per minute shower head
- WELS 3 Star Rating (Reg # S12231)
- Simple twist adjustment for shower head height
- Available in Chrome, Gold and Brushed Brass
- 1.5m Flexi Stainless Steel Shower Hose
- Wall water outlet included
- Mounting brackets and wall screws
- 32mm diameter stainless steel rail
- 150kg capacity on the rail
- The 900mm long rail can be shortened during installation to suit you
- Additional options include: Soap Basket, 1200mm rail, 1m or 2m Flexi Shower Hose, Shower Head Wall Bracket





WALL BRACKET

CONTENTS:

- 2 x Wall Seal
- 6 x Stainless Screws
- 1 x Grab Rail

GLANCE RAIL INSTALLATION INSTRUCTIONS

1. Locate wall studs, install into at least one stud. (minimum 2 screws per bracket).
2. Place rail on wall over centre of stud and mark hole positions on wall through the holes of mounting bracket.
3. Drill pilot holes into wall stud to suit mounting screws and place silicon in holes to seal out moisture.
4. Install rail by screwing onto wall, minimum 2 screws in each mount bracket (1 at top side, 1 at bottom side, use appropriate mounting screws for the wall stud material, supplied screws are for timber wall studs).
5. Push cover plates over mounting brackets until they clip on.

WARNING:

These rails are designed to be mounted onto wall studs or masonry walls. Installation is recommended to be completed by qualified tradesperson who complies with the AS 1428.1-2009 Design for Access and Mobility standard. It is recommended rail location is determined by a qualified Occupational Therapist or trained professional to the AS 1428.1-2009 standard. Correct installation is required to ensure safe, long term operation. Incorrect mounting can result in reduced capacity of the rail which can result in injury to user and damage to the wall.

